



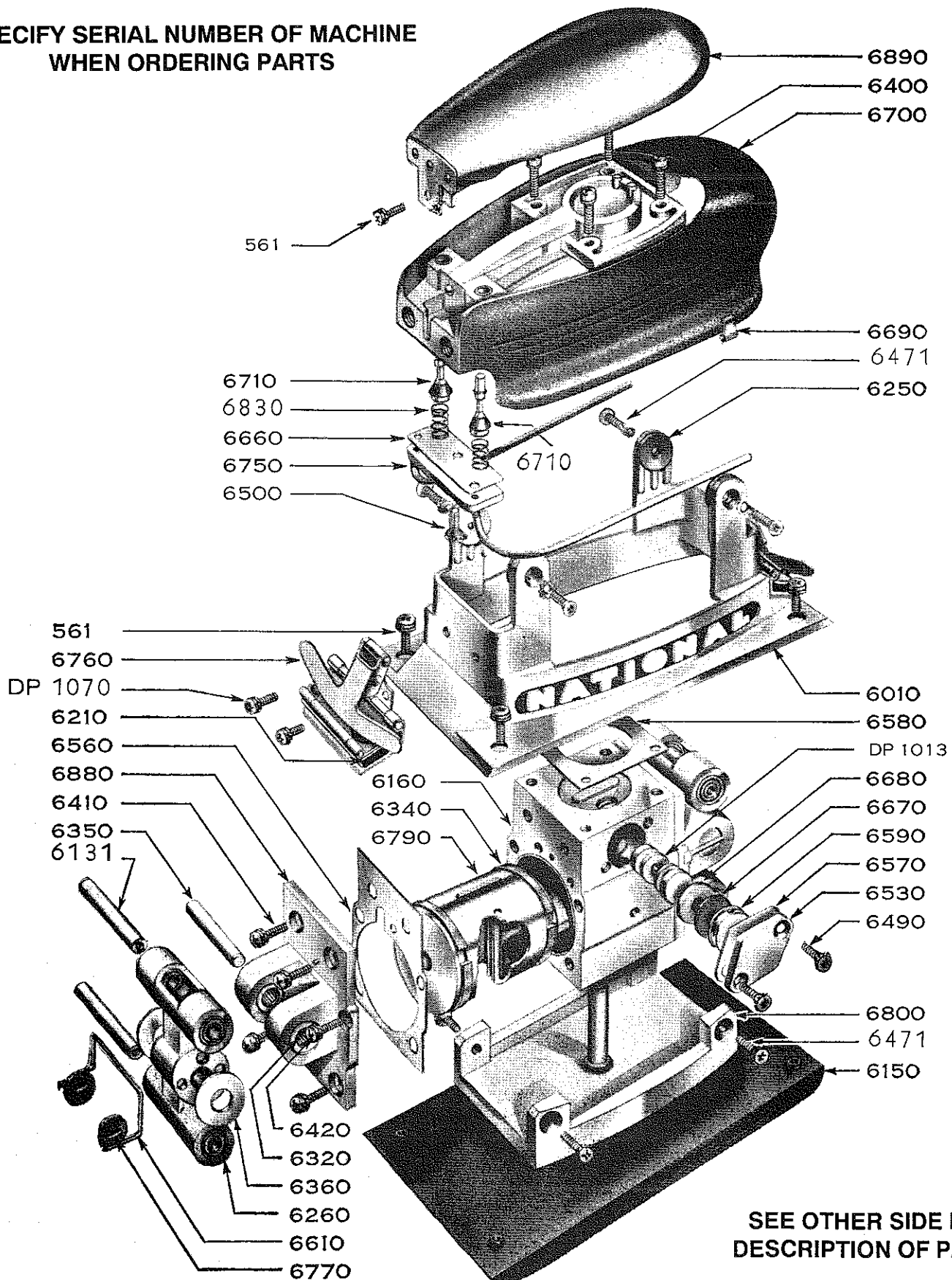
MODEL 600 PARTS LIST

National Detroit, Inc.

P.O. Box 2285 ■ Rockford, IL 61131
(815) 877-4041 ■ Fax (815) 877-4050
email: NationalDetroit@compuserve.com
website: <http://www.NationalDetroit.com>

Shipping Address:
1590 Northrock Court
Rockford, IL 61103

**SPECIFY SERIAL NUMBER OF MACHINE
WHEN ORDERING PARTS**



**SEE OTHER SIDE FOR
DESCRIPTION OF PARTS**

NATIONAL DETROIT

NATIONAL SANDER PARTS LIST MODEL 600

Part No.	Description	Part No.	Description
561	Screw—5	6570	Valve Plate Gasket—2
6010	Pad Shoe	6580	Cover Gasket
6131	Rocker Arm Shaft—4	6590	Shuttle Valve Plug—2
6150	Molded Rubber Pad (Oil Resistant)	6610	Bearing Seal Clip—2
6160	Motor Block	6660	Water Fitting Gasket
6210	Paper Clamp Bumper—2	6670	Shuttle Valve Rubber Washer—2
6220	Paper Holder Bumper Guard—2	6680	Shuttle Valve Synthane Washer—2
6250	Rocker Arm Thrust Washer—4	6690	Water Fitting Clip—2
6260	Rocker Arm (includes Bearings)—2	6700	Cover
6320	End Cap Bearing—4	6710	Valve Stem Assembly—2
6340	Piston Ring—2	6730	Adaptor 1/8 NPT Male to 1/4 NPT Female
6350	Suspension Shaft—2	6750	Water Fitting
6360	End Cap Thrust Washer—4	6760	Paper Clamp—2
6400	Cover Screw—4	6770	Bearing Seal—4
6410	End Cap Screw—8	6790	Piston
6420	End Cap Side Screw—4	6800	Counterweight
6471	Rocker Arm Screw—8	6830	Valve Stem Spring—2
6490	Valve Plate Screw—4	6880	End Cap Assembly w/Bearing—2
6500	Water Fitting Screw	6890	Trigger
6520	3/8" Felt Pad	DP1013	Shuttle Valve
6530	Valve Plate—2	DP1070	Paper Clamp Screw—4
6560	End Cap Gasket—2		

GENERAL INSTRUCTIONS ON INSTALLATION AND OPERATION OF MODEL 600 NATIONAL SANDER

INSTALLATION: National Air Sanders should be operated on an air line equipped with a regulator and filter. 1/4" I.D. air hose may be used in lengths up to 25'. If longer lengths are to be used 5/16" I.D. is recommended. Attach air hose to air inlet marked AIR. The Model 600 is equipped with a water spray. When it is to be used with water, a 1/4" I.D. water hose may be attached to right hand inlet. The water pressure should be adjusted at the source.

OPERATION: Air motors operate more efficiently on clean dry air. The air filter should be drained at least once a day. Operating pressure 60 to 100 pounds. The paper holders on all National Sanders are made to accommodate maximum paper loads. However, overloading, particularly with the finer grits, is false economy as the cutting efficiency of the bottom sheets is greatly impaired long before they are brought into use. Practical experience will determine the proper load depending on the grit used, and the type of operation involved. To apply abrasive—pull up on paper clamp clamping levers. Insert abrasive in rear clamp first. Fasten by pushing down on clamping lever.

LUBRICATION: Air motors require lubrication. The Model 600 is driven by a piston type motor and requires lubrication. The sander, when in constant use, should be operated on an air line equipped with a fog type lubricator. The lubricator should be set to administer approximately 1 drop every 5 minutes. If the use of the machine is intermittent, the machine may be lubricated manually by the addition of several drops of oil through the air intake. (Use a light bodied oil containing a rust inhibitor). When a machine is to be manually lubricated be certain to run a small amount of oil through it before overnight or week-end idleness. **CAUTION:** Do not over lubricate the sander as the excess will be discharged onto the surface being sanded.