

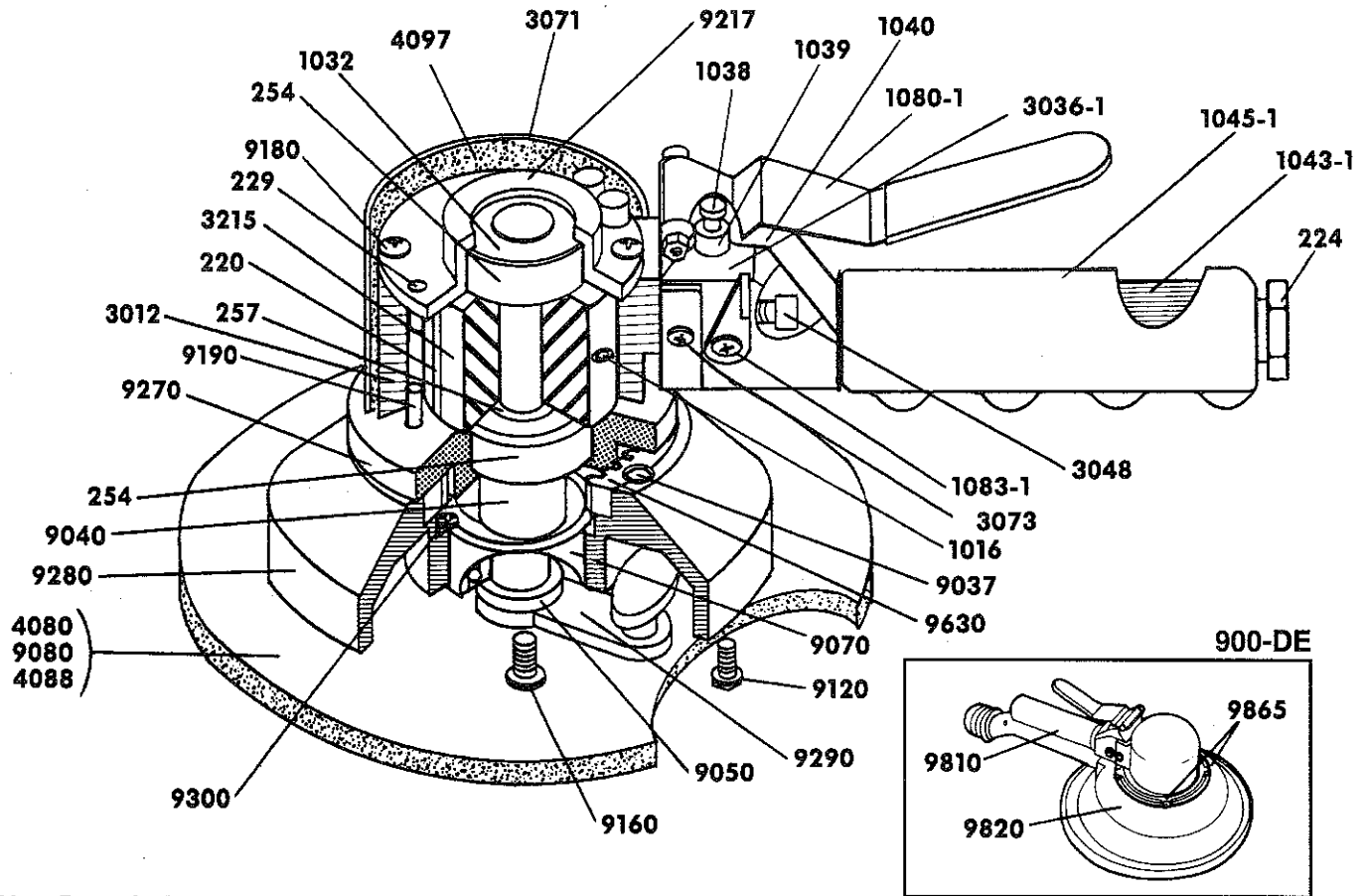


National Detroit, Inc.

P.O. Box 2285 ■ Rockford, IL 61131
 (815) 877-4041 ■ Fax (815) 877-4050
 email: Sales@NationalDetroit.com
 website: www.NationalDetroit.com

MODEL 900
900-DE

Shipping Address:
 1590 Northrock Court
 Rockford, IL 61103



Part No. Description

220	Rotor Blade (5)
224	Motor Screen Plug
229	Dowel Pin—Upper Motor (2)
246-1	Valve Spring
250	Valve Pipe Plug
254	Ball Bearing, Motor (2)
257	Shim (sizes available .001 thru .006, .010 and .015)
1016	Rotor Set Screw
1032	Gasket, Metal, Upper Motor Bearing
1037	Valve Ball
1038	Valve Stem
1039	Valve Stem Sleeve
1040	Valve Lever
1042	Valve Lever Jam Nut
1043-1	Handle Steel
1045-1	Finger Grip Handle
1080-1	Valve Lever Booster Assembly
1080-B	Valve Lever Bracket Nut
1080-C	Valve Lever Bracket Screw
1083-1	Speed Control Regulator Assembly
3012	Motor Cylinder
3036-1	Valve Assembly complete with 1083-1
3048	Valve Screw Socket Cap 1" long (2)
3071	Motor Cover
3073	Cover Screw with Washers (2)
3215	Motor Rotor
4097	Muffler Material
9037	Gear Screw (4)
9040	Crankshaft
9050	Counterweight Spacer

Part No. Description

9070	Crank Bearing
9120	Pad Attaching Screw (5)
9160	Counterweight Attaching Screw
9180	Motor Screw including Lockwasher (4)
9190	Lower Motor Dowel Pin (2)
9217	Upper Motor Bearing Plate Assembly (includes Bearing)
9270	Lower Motor Bearing Plate Assembly (includes Bearing and Gear)
9280	Transmission Assembly (includes Bearing, Gear and Screws)
9290	Counterweight Assembly (includes Attaching Screw and Drive Pin)
9300	Screw, Bearing Retaining (3)
9630	Driven Gear

• Be sure to use the special screws (9120) furnished with the pads. Other screws may damage 9280 Transmission

Pads

4080	Vinyl Face, 8" dia.—Use PSA Abrasive
4088	Vinyl Face, 8" dia.—with Dust Extraction holes
4180	Molded Vinyl 8" dia.—Use PSA Abrasive
9077	Hook & Loop, 8" dia.—with Dust Extraction holes
9080	Cotton Face, 8" dia.—Use Cement
9177	Molded Hook & Loop, 8" dia.

Dust Extraction Parts For DE Model

Delete 1045-1	Grip
9810	Air Tube Handle
9820	Dust Shroud
9865	Screw (4)
9850	Dust Extraction Kit, includes all of the above plus 4088 Pad and 9120 Pad Screws (5)

NATIONAL DETROIT
MODEL 900 SANDER
OPERATING INSTRUCTIONS

AIR PRESSURE. 80 PSI maximum at sander. Excessive air pressure causes wear and actually retards sanding efficiency. Never run Sander "Free or Wild" on high air pressure. Adjustable lever on left side of Sander's valve controls flow of air if the tool is used on higher air line pressure.

LUBRICATION—IMPORTANT. Daily put 8 to 10 drops of very light oil in the air intake. This will eliminate rust formation in the Motor Cylinder. AIR line lubricator is not required. If one is used, set for one

drop each 10 minutes. DO NOT USE HEAVIER THAN Finol or 3-In-One. Ball Bearings are sealed for the life of the bearings.

MOISTURE AND FILTER TRAP. Clean dry air is important to prevent rust and excessive wear. Use only Regulated Air Line with a good Line Filter on each outlet; open Pet Cock every morning to drain accumulated water. Keep Intake Filter CLEAN or plastic and paint dust is sucked into air lines. Drain water and sludge from Compressor Storage Tank every day.

**CAUTION: READ AND OBSERVE THE ENCLOSED WARNINGS
AND SAFETY RULES FOR SAFE OPERATION.**