



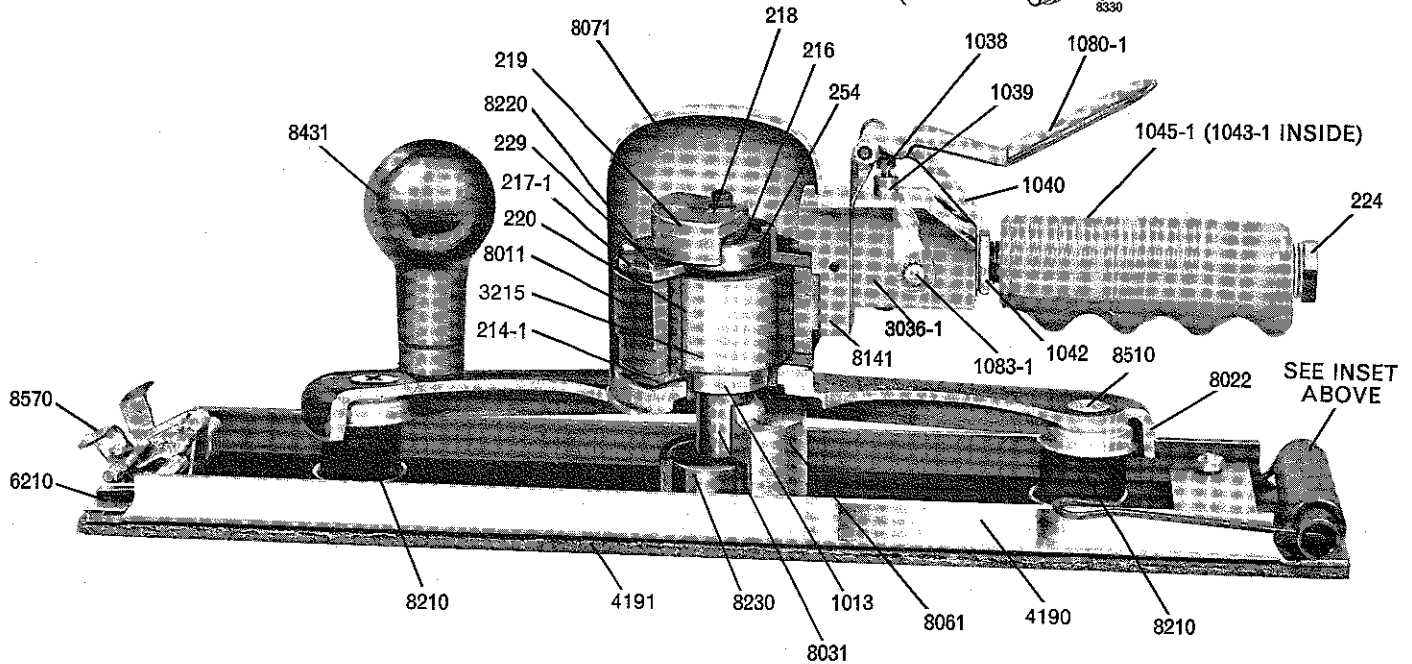
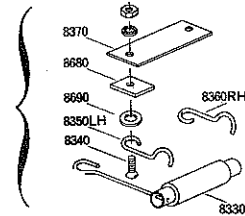
# National-Detroit, inc.

**MODEL FB-8**

Shipping Address: 1590 Northrock Court, Rockford, Illinois 61103  
 Correspondence: P.O. Box 2285, Rockford, Illinois 61131  
 Phone (815) 877-4041 Fax (815) 877-4050

**PARTS LIST  
 STARTING WITH  
 SERIAL NO. 3800**

**Rear Paper Holder  
 Parts Complete  
 8371**



Part No.	Description	Part No.	Description
214-1	Lower Motor Bearing Plate only	3215	Motor Rotor
216	Motor Spacer	4190	Pad Shoe with Pad & Front Paper Holder
217-1	Upper Motor Bearing Plate Only	4191	Backing Pad
218	Upper Counterweight Screw w/washer	6210	Front Paper Clamp Rubber Bumper
219	Upper Counterweight	8011	Motor Cylinder
220	Rotor Blade (5)	8022	Motor Base
224	Motor Screen Plug	8031	Crankshaft
228	Lower Counterweight Screw (not shown)	8061	Lower Counterweight
229	Dowel Pin — 4	8071	Cover
246-1	Valve Spring (not shown, part of 3036-1)	8141	Valve Riser Block
254	Ball Bearing	8150	Valve Riser Screw (2) 1/2" long
256	Cover Sheet Metal Screw — 4 (not shown)	8210	Thrust Support Assembly (2) w/Screws
257	Shim (sizes available .001 thru .006, .010 and .015)	8220	Motor Screw w/washer (3)
532	Lower Crank Screw w/washer (not shown)	8230	Crank Bearing
1013	Ball Bearing Lower, Motor	8260	Motor Screw (Small Head) (1)
1037	Valve Ball (not shown, part of 3036-1)	8330	Rear Paper Holder Roller
1038	Valve Stem	8340	Rear Paper Holder Screw (2) w/washer & nut
1039	Valve Stem Sleeve	8350	Rear Paper Holder Spring, Left Hand
1040	Valve Lever	8360	Rear Paper Holder Spring, Right Hand
1042	Valve Lever Jam Nut	8370	Rear Paper Holder Plate
1043-1	Handle Steel (less Part 224)	8371	Rear Paper Holder Complete
1045-1	Rear Handle Grip	8431	Front Handle, Ball
1047	Valve Pipe Plug (not shown)	8510	Screw Top Support (2)
1080-1	Valve Lever Booster Assembly	8570	Front Paper Holder Assembly
1080-B	Valve Lever Bracket Nut	8601	Screw Bottom Support (2)
1080-C	Valve Lever Bracket Screw	8680	Rear Paper Holder Washer (Rubber) (2)
1083-1	Speed Control Regulator Assembly	8690	Rear Paper Holder Washer (Metal) (2)
3036-1	Valve Complete w/Speed Control		
3048	Valve Screw, Socket Cap (1" long)		

# NATIONAL-DETROIT NATIONAL MODEL FB-8

## OPERATING INSTRUCTIONS

1. Connect to air line equipped with Filter and Regulator. (*Drain filter and blow out air line before connecting hose to sander.*) THEN DRAIN DAILY.
2. Set regulator at approximately 65 lbs. Usually 60-75 lbs. air pressure is sufficient. The pressure required depends on the length and condition of the air line. To operate at 5000 R.P.M. the sander requires 50 lbs. of pressure at the machine. DO NOT USE ON STRAIGHT LINE PRESSURES.
3. Sometimes a new sander or one being idle a few days will fail to start when the operating valve is depressed. Should this happen, hold the machine in right hand with the operating valve pressed down. Then rest front of sander's pad in left hand, with thumb and fingers push sideways ON FRAME at front handle knob until motor starts to turn.

## LUBRICATION

There is no metal-to-metal contact between any moving parts in this sander. However, several drops of light oil administered daily through the air intake will eliminate the possibility of rust formation in the cylinder. See instruction 1. When the machine is operated in conjunction with a line oiler, the oiler should be adjusted to admit not more than one drop every five minutes. CAUTION: Excessive oil flow will cause an oil-film deposit on the work.

## ABRASIVE PAPER SIZE $2\frac{3}{4}'' \times 17\frac{1}{2}''$

### PAPER HOLDER INSTRUCTIONS

(READ BEFORE PUTTING ON SANDPAPER)

1. Clamp Abrasive Paper in Front Holder First.
2. Insert other end of Abrasive Paper Under Roller and Turn Roller Arm as indicated. **Always take one (1) Extra Turn of Roller** to be sure all paper slack is taken up. **Turning Roller will Not Tear the paper.**
3. If any looseness develops in Paper Roller slightly tighten the two (2) nuts securing assembly to pad shoe.
4. **Keep hands off** abrasive paper while rotating roller or paper will not tighten.

