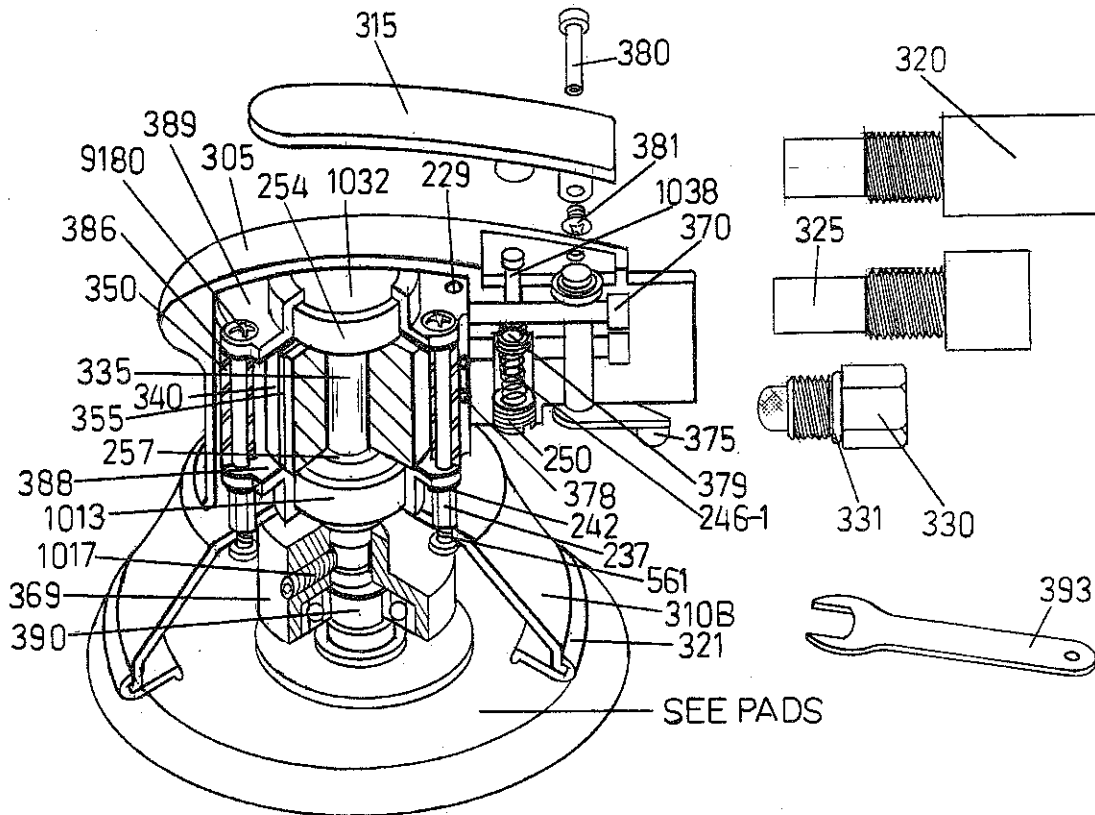




## National Detroit, Inc.

P.O. Box 2285 ■ Rockford, IL 61131  
 (815) 877-4041 ■ Fax (815) 877-4050  
 email: NationalDetroit@compuserve.com  
 website: <http://www.NationalDetroit.com>

Shipping Address:  
 1590 Northrock Court  
 Rockford, IL 61103



### PART NO. DESCRIPTION

229	Dowel Pin (2)
237	Motor Nut (4)
242	Split Washer (4)
246-1	Valve Spring
250	Valve Pipe Plug
254	Ball Bearing Upper Motor
257	Spacing Shim (8 sizes) .001 through .006, .010 & .015
305	Body Only
306	Body Assembly, includes trigger, valve and speed control
310B	Dust Extraction Shroud - Black (5" & 6")
313	3" Shroud - Black
315	Trigger
321	Rubber Ring
320	Dust Extraction Tube
325	Muffler
330	Screen Plug with O-Ring
331	O-Ring, Screen Plug
335	Drive Shaft
340	Motor Rotor- Steel
340-A	Motor Rotor- Aluminum
350	Motor Cylinder
350-L	Motor Cylinder - Light
355	Rotor Vanes (5)
369	Drive Head Assembly

### PART NO. DESCRIPTION

370	Cylinder Screw (2)
375	Speed Control Assembly
378	O Ring Seal
379	Valve Seat Assembly
380	Trigger Stud
381	Trigger Screw
386	Motor Spacer
387	Upper/Lower Bearing Plate Only
388	Lower Bearing Plate with 1013 ball bearing lower motor
389	Upper Bearing Plate with 254 ball bearing upper motor(inc. #1032 gasket)
390	Pad Shaft Assembly
393	Pad Wrench
561	Shroud Screw (4)
1013	Ball Bearing Lower Motor
1017	Set Screw Drive Head (2)
1032	Gasket, Upper Motor Bearing
1038	Valve Stem
9180	Motor Screw (4) includes 242 lockwasher
318	Auxiliary DE Shroud 5"
317	Auxiliary DE Shroud 6"

### PADS

See Other Side for Pad Information

MODEL	LAMINATED PAD		MOLDED PAD	
	VINYL	HOOK	VINYL	HOOK
PGSS-3"	4062-3	3977-3	4862-3	4677-3
PGSS-5"	4062-5	4047-5	4862-5	4677-5
PGSS-6	4062-6	4047-6	4862-6	4677-6
PGSS-DE 5"			4162-5	4177-5
PGSS-DE 6"			4162-6	4177-6

## Pads

(Use National Detroit pads only. Sanders are balanced for use with these pads.)

See pad and abrasive application sheet. Contact National Detroit with details of special requirements for factory recommendations.

## NATIONAL DETROIT MODEL PGSS OPERATING INSTRUCTIONS

### PREPARING THE MODEL PGSS SANDER

This tool can be used for many applications. Be sure to read the following instruction for each feature so that you can use the tool to the best advantage on your application.

#### Sanding Pad

There are many types of pads available for this tool, (see chart at top). Choose the one that is best suited for your work.

Pad must be installed or removed by using the open end wrench supplied with the tool. Disconnect airline first, then insert wrench between pad and shroud. Turn the pad slowly while guiding the wrench inward until it engages the flats on the pad shaft.

Hold the wrench and turn the pad counterclockwise to remove and clockwise to tighten.

#### Muffler-Dust Extraction Tube

The tool is supplied from the factory with the muffler installed. The Dust Extraction tube is supplied separately. If you are going to use dust extraction, remove the muffler by unscrewing (use the wrench flats), and install the dust extraction tube.

#### Air Supply

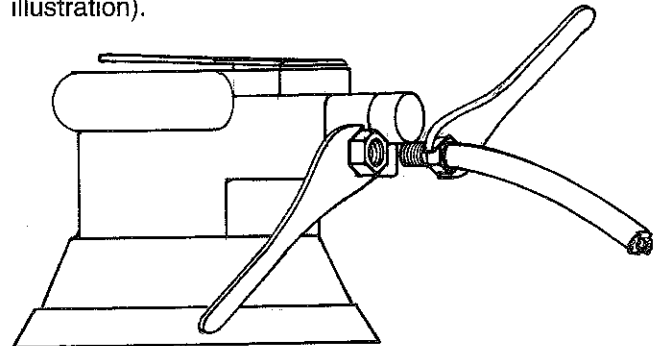
Clean, dry air is important to prevent damage or excessive wear. We recommend using a moisture trap and filter. Drain water from compressor tank daily. Keep intake filter clean.

#### Caution

To insure proper spacing, make sure white Teflon spacer is on pad stud before installing pad.

#### Air Line

We recommend using a 1/4" air hose to the tool. Quick disconnects are not recommended since they add additional weight to the tool. Screw the hose fitting directly into the screen plug. CAUTION: Over-tightening the screen plug can damage the housing. Always use a wrench to hold the screen plug when installing a fitting or hose, (see illustration).



#### Air Pressure

We recommend using up to 90 PSI air supply for this tool. Use the speed control lever to adjust the speed for best performance. Never run the sander "free or wild" or on higher air pressure. Injury and damage can result. Never run the sander off of the work.

#### Lubrication

Put several drops of light oil (10 weight) through the air intake daily. This will prolong tool life. If an air line oiler is used, set it to admit one drop every five minutes. Excessive oil flow can cause an oil film deposit on the work.

**CAUTION: READ AND OBSERVE THE ENCLOSED WARNINGS  
AND SAFETY RULES FOR SAFE OPERATION.**