

MODEL	LAMINATED PAD		MOLDED PAD	
	VINYL	HOOK	VINYL	HOOK
PGU-3"	4062-3	3977-3	4862-3	4677-3
PGU-5"	4062-5	4047-5	4862-5	4677-5
PGU-6	4062-6	4047-6	4862-6	4677-6
PGU-DE 5"			4162-5	4177-5
PGU-DE 6"			4162-6	4177-6

Pads

(Use National Detroit pads only. Sanders are balanced for use with these pads.)

See pad and abrasive application sheet. Contact National Detroit with details of special requirements for factory recommendations.

NATIONAL DETROIT MODEL PGU OPERATING INSTRUCTIONS

PREPARING THE MODEL PGU SANDER

This tool can be used for many applications. Be sure to read the following instruction for each feature so that you can use the tool to the best advantage on your application.

Sanding Pad

There are many types of pads available for this tool, (see chart at top). Choose the one that is best suited for your work.

Pad must be installed or removed by using the open end wrench supplied with the tool. Disconnect airline first, then insert wrench between pad and shroud. Turn the pad slowly while guiding the wrench inward until it engages the flats on the pad shaft.

Hold the wrench and turn the pad counterclockwise to remove and clockwise to tighten.

Muffler-Dust Extraction Tube

The tool is supplied from the factory with the muffler installed. The Dust Extraction tube is supplied separately. If you are going to use dust extraction, remove the muffler by unscrewing (use the wrench flats), and install the dust extraction tube.

Air Supply

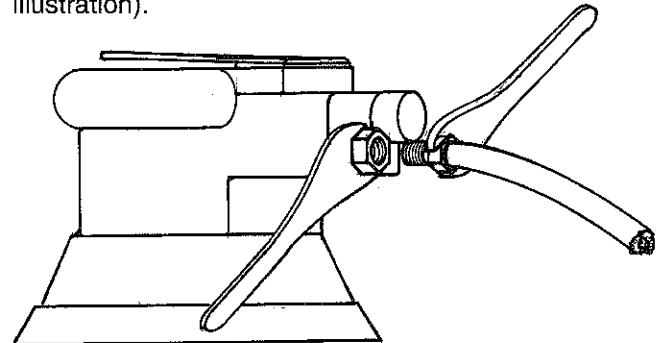
Clean, dry air is important to prevent damage or excessive wear. We recommend using a moisture trap and filter. Drain water from compressor tank daily. Keep intake filter clean.

Caution

To insure proper spacing, make sure white Teflon spacer is on pad stud before installing pad.

Air Line

We recommend using a 1/4" air hose to the tool. Quick disconnects are not recommended since they add additional weight to the tool. Screw the hose fitting directly into the screen plug. CAUTION: Over-tightening the screen plug can damage the housing. Always use a wrench to hold the screen plug when installing a fitting or hose, (see illustration).



Air Pressure

We recommend using up to 90 PSI air supply for this tool. Use the speed control lever to adjust the speed for best performance. Never run the sander "free or wild" or on higher air pressure. Injury and damage can result. Never run the sander off of the work.

Lubrication

Put several drops of light oil (10 weight) through the air intake daily. This will prolong tool life. If an air line oiler is used, set it to admit one drop every five minutes. Excessive oil flow can cause an oil film deposit on the work.

CAUTION: READ AND OBSERVE THE ENCLOSED WARNINGS AND SAFETY RULES FOR SAFE OPERATION.